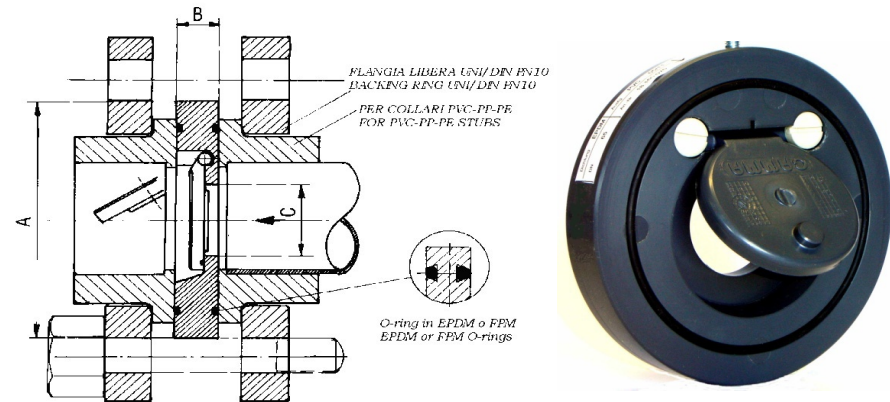


**VALVOLE DI NON RITORNO A CLAPET**  
**TIPO WAFER - SENZA MOLLA**  
**CHECK VALVES**  
**WAFER TYPE - WITHOUT RETURN SPRING**



		PVC	
D	DN	EPDM	FPM
40	32	48,13	64,29
50	40	50,66	66,57
63	50	64,29	79,26
75	65	66,57	80,47
90	80	71,25	92,37
110	100	82,60	116,30
140	125	94,10	137,14
160	150	135,42	174,17
225	200	283,66	344,88
280	250	405,96	481,23
315	300	544,05	614,63

		PP	
D	DN	EPDM	FPM
40	32	50,66	66,57
50	40	52,94	68,71
63	50	70,71	80,47
75	65	73,52	81,54
90	80	78,20	93,44
110	100	91,04	117,10
140	125	103,47	138,48
160	150	149,04	174,97
225	200	311,46	347,55
280	250	447,68	483,89
315	300	575,60	617,30

		PVDF
D	DN	FPM
40	32	100,13
50	40	104,27
63	50	112,69
75	65	130,20
90	80	156,26
110	100	215,22
140	125	294,76
160	150	411,58
225	200	962,05
280	250	1.195,57
315	300	3.842,58