

GASKET

Features

AV GASKET

- AV GASKETS offer Similar sealing performance with 1/3 bolt tightening torque, compared to flat or envelope style gaskets.
- Uniform dimension, fine surface, suitable hardness.
- Long service life.
- Unique Convex Design.



Vitflon®F/FKM-F, Vitflon®C/FKM-C

- Superior in properties of elution of TOC, metal ions and others
- More cost effective than perfluoro-fluorine rubber
- Vitflon®F (for acid resistance)
Effective in nitric, hydrofluoric, hydrochloric and other acid production lines and exhibits significant effects particularly in production lines for nitric hydrofluoric acid and other mixed acids.
- Vitflon®C (for resistance to hydrochloric acid-based chemicals)
Effective against hydrochloric acid-based chemicals and holds far greater chemical resistance than conventional fluorine-based rubber especially in lines where sodium hypochlorite is injected.



Basic specifications

■ AV Gasket Working Temperature Range

| AV Gasket Type | Working Temperature °C {F} |
|-----------------------|----------------------------|
| AV EPDM Gasket | -40 — 90 { -40 — 195 } |
| * AV CSM Gasket | -20 — 80 { -5 — 175 } |
| * AV NBR Gasket | -30 — 100 { -20 — 210 } |
| * AV IIR-C Gasket | -30 — 90 { -20 — 195 } |
| * AV FKM Gasket | -20 — 150 { -5 — 310 } |
| AV PTFE COATED Gasket | -40 — 120 { -40 — 250 } |
| AV PVDF COATED Gasket | -40 — 120 { -40 — 250 } |

<Use Precautions>

1. Values on the left are general working temperature range.
It may be invasive depending on type, temperature, etc. of chemical solution.
2. Working temperature range for Vitflon®F/FKM-F and Vitflon®C/FKM-C is same as FKM.
3. If insulation is required with EPDM gasket, specify "Insulation EPDM".
4. The marked (*) ones are build-to-order products.

These are cast products so there is no unevenness in thickness and the surface is flat.

The protrusion of dual-layer O-ring prevents leakage even when the surface pressure is low.

Appropriate rubber hardness exerts an buffering effect against heat stress and piping stress.

The material of high-quality virgin rubber extends duration of life.

■ AV Gasket Standard

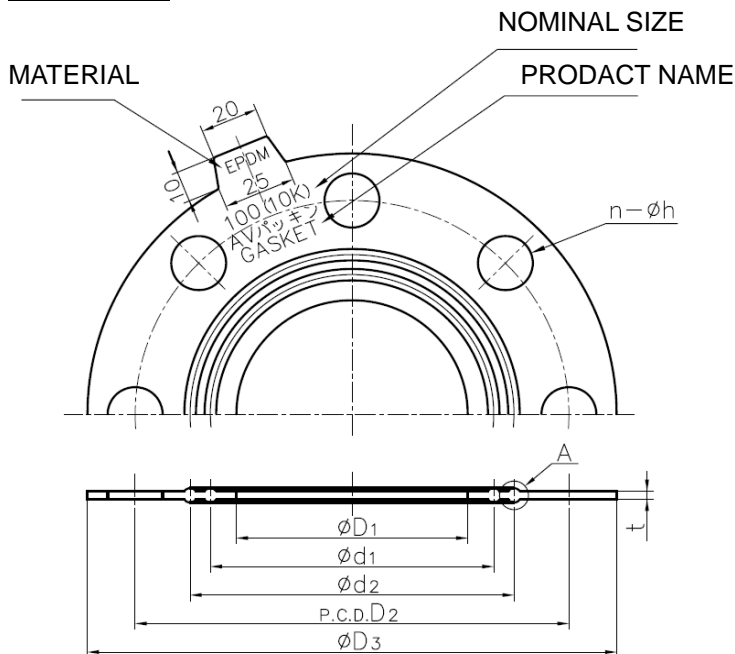
| Type \ Standard | JIS 5K | JIS 10K | ANSI, DIN |
|--------------------|--------|---------|-----------|
| Full Face Gasket | ○ | ○ | ○ |
| PTFE COATED Gasket | — | ○ | ○ |
| PVDF COATED Gasket | — | ○ | ○ |

<Use Precautions>

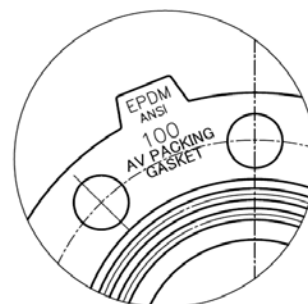
1. When using AV gasket for connecting metal-to-metal flange or resin-to-metal flange, use flat face (FF) metal flange.
Using plane-seat flange (RF) may cause damage to gasket.
2. Some materials are not available for AV gasket depending on standard and type.
For details, please contact our nearest office.

Product dimension

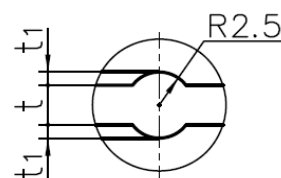
AV GASKET



In case of
ANSI Class 150 & DIN



PART "A"



DIMENTION TABLE

UNIT:mm

| NOMINAL SIZE | | JIS 5K | | | | | | JIS 10K | | | | | | ANSI Class 150 | | | | | | DIN | | | | | | | | | |
|------------------|-------|----------------|----------------|----------------|----|----|----------------|----------------|----------------|----------------|----|----|----------------|----------------|----------------|----------------|----|----|----------------|----------------|----------------|----------------|----|----|----------------|----------------|---|----------------|-----|
| | | D ₁ | D ₂ | D ₃ | n | h | d ₁ | d ₂ | D ₂ | D ₃ | n | h | d ₁ | d ₂ | D ₂ | D ₃ | n | h | d ₁ | d ₂ | D ₂ | D ₃ | n | h | d ₁ | d ₂ | t | t ₁ | |
| 13 ^{mm} | 3/8 | 15 | 55 | 73 | 4 | 12 | 22 | 34 | 65 | 88 | 4 | 15 | 22 | 37 | — | — | — | — | — | — | — | — | — | — | — | — | — | 3 | 0.5 |
| 15 | 1/2 | 18 | 60 | 78 | 4 | 12 | 26 | 39 | 70 | 93 | 4 | 15 | 26 | 41 | 60.5 | 87 | 4 | 16 | 26 | 41 | 65 | 93 | 4 | 14 | 26 | 41 | 3 | 1.0 | |
| 20 | 3/4 | 22 | 65 | 83 | 4 | 12 | 30 | 44 | 75 | 98 | 4 | 15 | 32 | 47 | 70.0 | 96 | 4 | 16 | 32 | 47 | 75 | 103 | 4 | 14 | 32 | 47 | 3 | 1.0 | |
| 25 | 1 | 30 | 75 | 93 | 4 | 12 | 39 | 53 | 90 | 123 | 4 | 19 | 38 | 53 | 79.5 | 106 | 4 | 16 | 38 | 53 | 85 | 113 | 4 | 14 | 38 | 53 | 3 | 1.0 | |
| 32 | 1 1/4 | 37 | 90 | 113 | 4 | 15 | 45 | 60 | 100 | 133 | 4 | 19 | 50 | 65 | 89.0 | 115 | 4 | 16 | 50 | 65 | 100 | 138 | 4 | 18 | 50 | 65 | 3 | 1.0 | |
| 40 | 1 1/2 | 43 | 95 | 118 | 4 | 15 | 53 | 69 | 105 | 138 | 4 | 19 | 54 | 69 | 98.5 | 125 | 4 | 16 | 54 | 69 | 110 | 148 | 4 | 18 | 54 | 69 | 3 | 1.0 | |
| 50 | 2 | 54 | 105 | 128 | 4 | 15 | 64 | 79 | 120 | 153 | 4 | 19 | 68 | 83 | 120.5 | 150 | 4 | 19 | 68 | 83 | 125 | 163 | 4 | 18 | 68 | 83 | 3 | 1.0 | |
| 65 | 2 1/2 | 69 | 130 | 153 | 4 | 15 | 82 | 101 | 140 | 173 | 4 | 19 | 86 | 101 | 139.5 | 176 | 4 | 19 | 86 | 101 | 145 | 183 | 4 | 18 | 86 | 101 | 3 | 1.0 | |
| 80 | 3 | 80 | 145 | 178 | 4 | 19 | 93 | 112 | 150 | 183 | 8 | 19 | 98 | 112 | 152.5 | 189 | 4 | 19 | 98 | 112 | 160 | 198 | 8 | 18 | 98 | 112 | 3 | 1.0 | |
| 100 | 4 | 102 | 165 | 198 | 8 | 19 | 114 | 133 | 175 | 208 | 8 | 19 | 120 | 138 | 190.5 | 227 | 8 | 19 | 120 | 138 | 180 | 218 | 8 | 18 | 120 | 138 | 3 | 1.0 | |
| 125 | 5 | 127 | 200 | 233 | 8 | 19 | 142 | 165 | 210 | 248 | 8 | 23 | 145 | 166 | 216.0 | 252 | 8 | 22 | 145 | 166 | 210 | 248 | 8 | 18 | 145 | 166 | 3 | 1.0 | |
| 150 | 6 | 150 | 230 | 263 | 8 | 19 | 167 | 193 | 240 | 278 | 8 | 23 | 168 | 190 | 241.5 | 277 | 8 | 22 | 168 | 190 | 240 | 283 | 8 | 22 | 168 | 190 | 3 | 1.0 | |
| 200 | 8 | 198 | 280 | 318 | 8 | 23 | 215 | 240 | 290 | 328 | 12 | 23 | 216 | 247 | 298.5 | 341 | 8 | 22 | 216 | 247 | 295 | 338 | 8 | 22 | 216 | 247 | 3 | 1.0 | |
| 250 | 10 | 249 | 345 | 383 | 12 | 23 | 270 | 301 | 355 | 398 | 12 | 25 | 270 | 306 | 362.0 | 404 | 12 | 25 | 270 | 306 | 350 | 393 | 12 | 22 | 270 | 306 | 3 | 1.0 | |
| 300 | 12 | 300 | 390 | 428 | 12 | 23 | 318 | 349 | 400 | 443 | 16 | 25 | 324 | 352 | 432.0 | 481 | 12 | 25 | 324 | 352 | 400 | 443 | 12 | 22 | 324 | 352 | 3 | 1.0 | |
| 350 | 14 | 350 | 435 | 478 | 12 | 25 | 365 | 385 | 445 | 488 | 16 | 25 | 370 | 390 | 476.0 | 531 | 12 | 29 | 370 | 390 | 460 | 503 | 16 | 22 | 370 | 390 | 3 | 1.5 | |

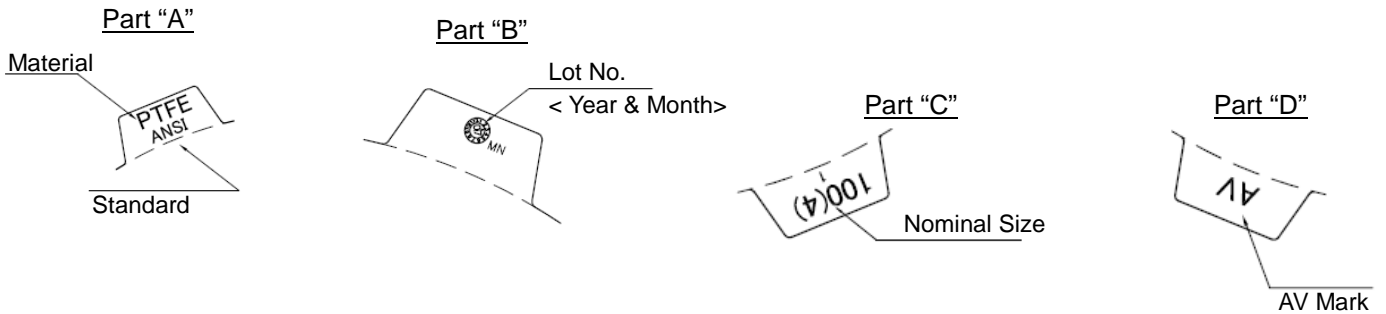
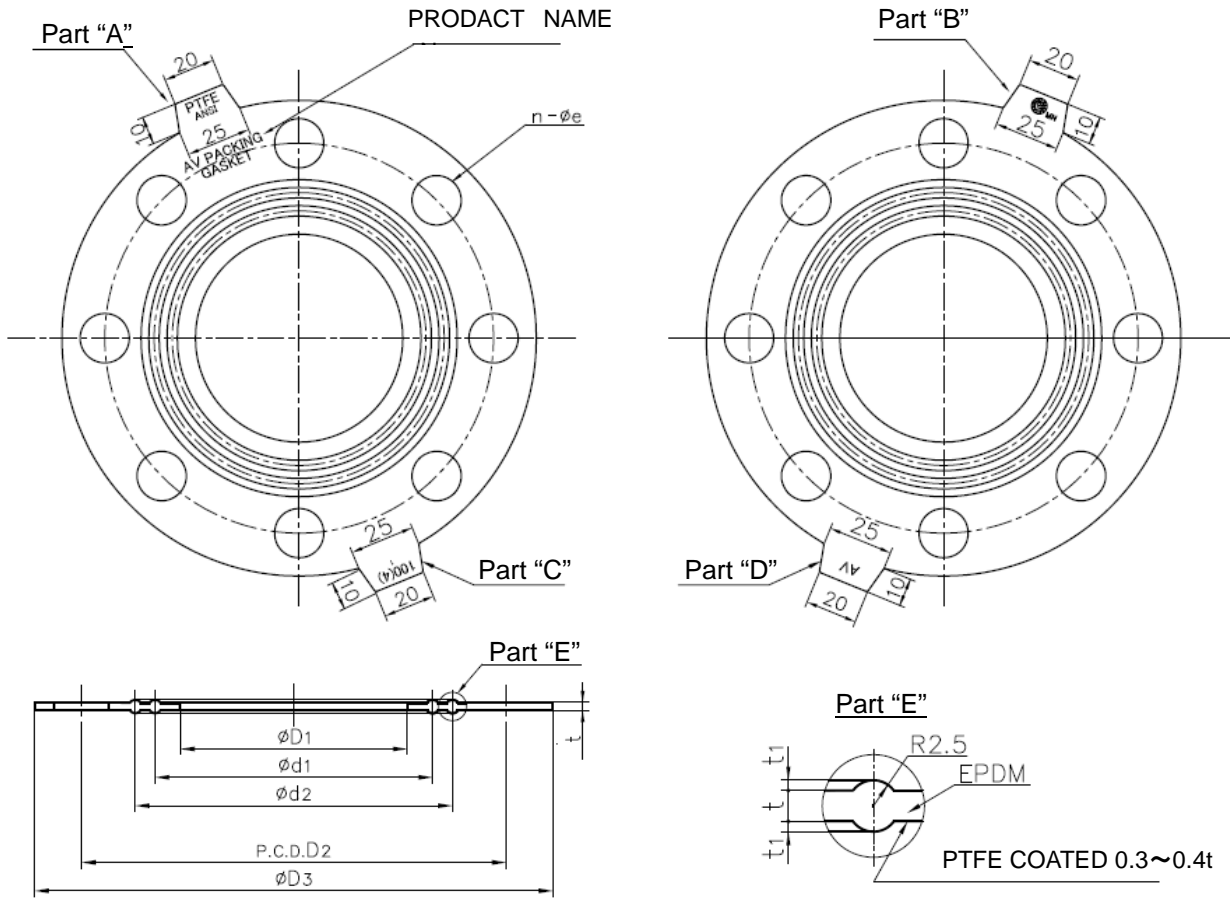
NOTE

The shape and appearance of gasket differ a little with nominal size compered to this drawing.

15mm(1/2")~150mm(6"):PN10/PN16, 200mm(8")~350mm(14"):PN10

Following size is made-to-order. IIR-C 200mm-350mm

PTFE COATED



DIMENSION TABLE

UNIT:mm

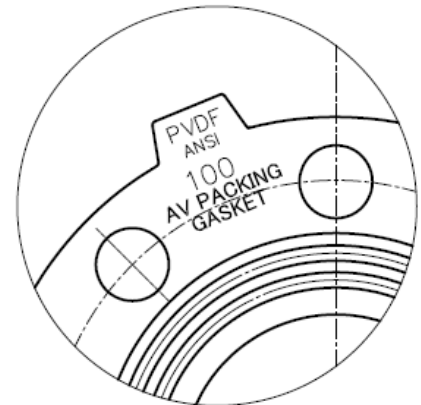
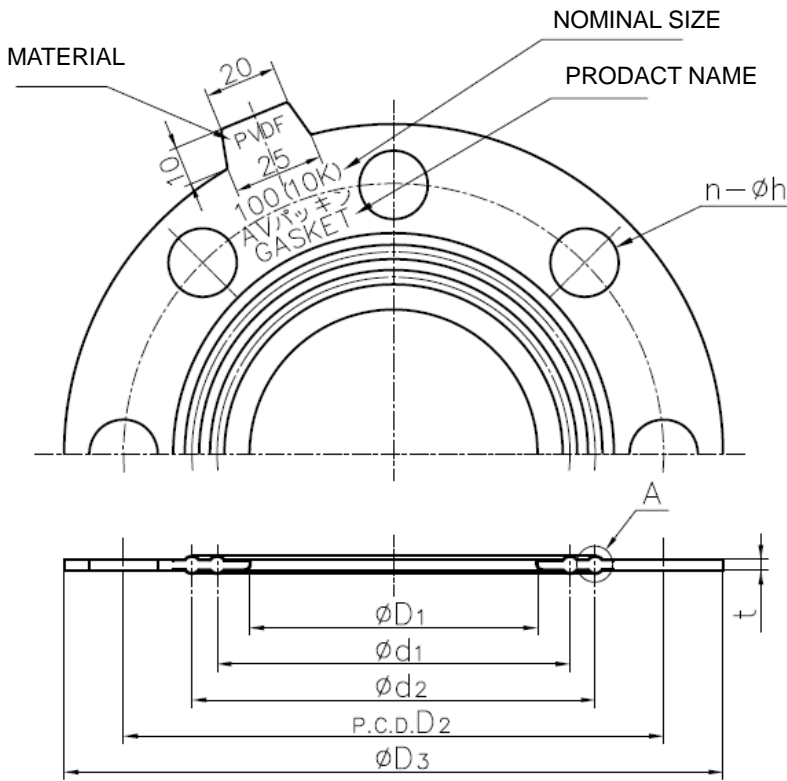
| NOMINAL SIZE | D ₁ | JIS 10K | | | | ANSI Class 150 | | | | DIN | | | | t | t ₁ | | | | | | | |
|------------------|----------------|----------------|----------------|-----|----|----------------|----------------|----------------|----------------|-----|----|----------------|----------------|-----|----------------|----------------|----------------|----|-----|----------------|----------------|---|
| | | D ₂ | D ₃ | n | h | d ₁ | d ₂ | D ₂ | D ₃ | n | h | d ₁ | d ₂ | | | D ₂ | D ₃ | n | h | d ₁ | d ₂ | |
| 15 ^{mm} | 1/2 | 18 | 70 | 93 | 4 | 15 | 26 | 41 | 60.5 | 87 | 4 | 16 | 26 | 41 | 65 | 93 | 4 | 14 | 26 | 41 | 3 | 1 |
| 20 | 3/4 | 22 | 75 | 98 | 4 | 15 | 32 | 47 | 70.0 | 96 | 4 | 16 | 32 | 47 | 75 | 103 | 4 | 14 | 32 | 47 | 3 | 1 |
| 25 | 1 | 30 | 90 | 123 | 4 | 19 | 38 | 53 | 79.5 | 106 | 4 | 16 | 38 | 53 | 85 | 113 | 4 | 14 | 38 | 53 | 3 | 1 |
| 32 | 1 1/4 | 37 | 100 | 133 | 4 | 19 | 50 | 65 | 89.0 | 115 | 4 | 16 | 50 | 65 | 100 | 138 | 4 | 18 | 50 | 65 | 3 | 1 |
| 40 | 1 1/2 | 43 | 105 | 138 | 4 | 19 | 54 | 69 | 98.5 | 125 | 4 | 16 | 54 | 69 | 110 | 148 | 4 | 18 | 54 | 69 | 3 | 1 |
| 50 | 2 | 54 | 120 | 153 | 4 | 19 | 68 | 83 | 120.5 | 150 | 4 | 19 | 68 | 83 | 125 | 163 | 4 | 18 | 68 | 83 | 3 | 1 |
| 65 | 2 1/2 | 69 | 140 | 173 | 4 | 19 | 86 | 101 | 139.5 | 176 | 4 | 19 | 86 | 101 | 145 | 183 | 4 | 18 | 86 | 101 | 3 | 1 |
| 80 | 3 | 80 | 150 | 183 | 8 | 19 | 98 | 112 | 152.5 | 189 | 4 | 19 | 98 | 112 | 160 | 198 | 8 | 18 | 98 | 112 | 3 | 1 |
| 100 | 4 | 102 | 175 | 208 | 8 | 19 | 120 | 138 | 190.5 | 227 | 8 | 19 | 120 | 138 | 180 | 218 | 8 | 18 | 120 | 138 | 3 | 1 |
| 125 | 5 | 127 | 210 | 248 | 8 | 23 | 145 | 166 | 216.0 | 252 | 8 | 22 | 145 | 166 | 210 | 248 | 8 | 18 | 145 | 166 | 3 | 1 |
| 150 | 6 | 150 | 240 | 278 | 8 | 23 | 168 | 190 | 241.5 | 277 | 8 | 22 | 168 | 190 | 240 | 283 | 8 | 22 | 168 | 190 | 3 | 1 |
| 200 | 8 | 198 | 290 | 328 | 12 | 23 | 216 | 247 | 298.5 | 341 | 8 | 22 | 216 | 247 | 295 | 338 | 8 | 22 | 216 | 247 | 3 | 1 |
| 250 | 10 | 249 | 355 | 398 | 12 | 25 | 270 | 306 | 362.0 | 304 | 12 | 25 | 270 | 306 | 350 | 393 | 12 | 22 | 270 | 306 | 3 | 1 |
| 300 | 12 | 300 | 400 | 443 | 16 | 25 | 324 | 352 | — | — | — | — | — | — | 400 | 443 | 12 | 22 | 324 | 352 | 3 | 1 |
| 350 | 14 | 362 | — | — | — | — | — | — | — | — | — | — | — | — | 460 | 503 | 16 | 22 | 387 | 413 | 3 | 1 |
| 400 | 16 | 407 | — | — | — | — | — | — | — | — | — | — | — | — | 515 | 563 | 16 | 26 | 442 | 472 | 3 | 1 |

NOTE

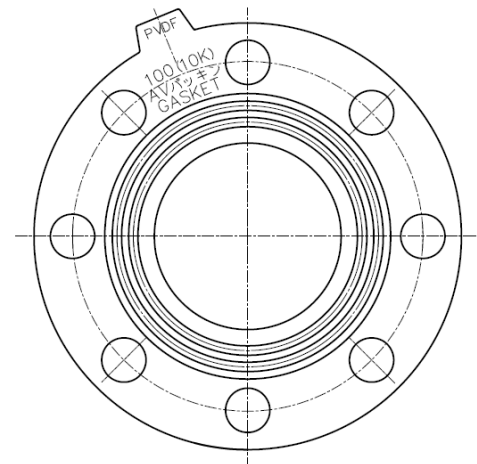
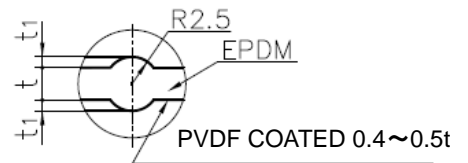
The shape and appearance of gasket differ a little with nominal size compared to this drawing.
 15mm(1/2")~150mm(6"):PN10/PN16, 200mm(8")~400mm(16"):PN10

PVDF COATED

In case of
ANSI Class 150 & DIN



Part "A"



DIMENTION TABLE

UNIT:mm

| NOMINAL SIZE | D ₁ | JIS 10K | | | | | | ANSI Class 150 | | | | | | DIN | | | | | | | | |
|------------------|----------------|----------------|----------------|-----|----|----------------|----------------|----------------|----------------|-----|----|----------------|----------------|----------------|----------------|-----|----|----------------|----------------|-----|----------------|---|
| | | D ₂ | D ₃ | n | h | d ₁ | d ₂ | D ₂ | D ₃ | n | h | d ₁ | d ₂ | D ₂ | D ₃ | n | h | d ₁ | d ₂ | t | t ₁ | |
| 15 ^{mm} | 1/2 | 18 | 70 | 93 | 4 | 15 | 26 | 41 | 60.5 | 87 | 4 | 16 | 26 | 41 | 65 | 93 | 4 | 14 | 26 | 41 | 3 | 1 |
| 20 | 3/4 | 22 | 75 | 98 | 4 | 15 | 32 | 47 | 70.0 | 96 | 4 | 16 | 32 | 47 | 75 | 103 | 4 | 14 | 32 | 47 | 3 | 1 |
| 25 | 1 | 30 | 90 | 123 | 4 | 19 | 38 | 53 | 79.5 | 106 | 4 | 16 | 38 | 53 | 85 | 113 | 4 | 14 | 38 | 53 | 3 | 1 |
| 32 | 1 1/4 | 37 | 100 | 133 | 4 | 19 | 50 | 65 | — | — | — | — | — | — | 100 | 138 | 4 | 18 | 50 | 65 | 3 | 1 |
| 40 | 1 1/2 | 43 | 105 | 138 | 4 | 19 | 54 | 69 | 98.5 | 125 | 4 | 16 | 54 | 69 | 110 | 148 | 4 | 18 | 54 | 69 | 3 | 1 |
| 50 | 2 | 54 | 120 | 153 | 4 | 19 | 68 | 83 | 120.5 | 150 | 4 | 19 | 68 | 83 | 125 | 163 | 4 | 18 | 68 | 83 | 3 | 1 |
| 65 | 2 1/2 | 69 | 140 | 173 | 4 | 19 | 86 | 101 | — | — | — | — | — | — | 145 | 183 | 4 | 18 | 86 | 101 | 3 | 1 |
| 80 | 3 | 80 | 150 | 183 | 8 | 19 | 98 | 112 | 152.5 | 189 | 4 | 19 | 98 | 112 | 160 | 198 | 8 | 18 | 98 | 112 | 3 | 1 |
| 100 | 4 | 102 | 175 | 208 | 8 | 19 | 120 | 138 | 190.5 | 227 | 8 | 19 | 120 | 138 | 180 | 218 | 8 | 18 | 120 | 138 | 3 | 1 |
| 125 | 5 | 127 | 210 | 248 | 8 | 23 | 145 | 166 | 216.0 | 252 | 8 | 22 | 145 | 166 | 210 | 248 | 8 | 18 | 145 | 166 | 3 | 1 |
| 150 | 6 | 150 | 240 | 278 | 8 | 23 | 168 | 190 | 241.5 | 277 | 8 | 22 | 168 | 190 | 240 | 283 | 8 | 22 | 168 | 190 | 3 | 1 |
| 200 | 8 | 198 | 290 | 328 | 12 | 23 | 216 | 247 | 298.5 | 341 | 8 | 22 | 216 | 247 | 295 | 338 | 8 | 22 | 216 | 247 | 3 | 1 |
| 250 | 10 | 249 | 355 | 398 | 12 | 25 | 270 | 306 | 362.0 | 304 | 12 | 25 | 270 | 306 | 350 | 393 | 12 | 22 | 270 | 306 | 3 | 1 |
| 300 | 12 | 300 | 400 | 443 | 16 | 25 | 324 | 352 | — | — | — | — | — | — | 400 | 443 | 12 | 22 | 324 | 352 | 3 | 1 |

NOTE

The shape and appearance of gasket differ a little with nominal size compared to this drawing
15mm(1/2")~150mm(6"):PN10/PN16, 200mm(8")~300mm(12"):PN10.

Product weight

UNIT:g

| NOMINAL SIZE | | AV GASKET (STANDARD) | | | | PTFE COATED GASKET | | | PVDF COATED GASKET | | |
|------------------|-------|----------------------|---------|-------------------|-----|--------------------|-------------------|-----|--------------------|-------------------|-----|
| | | JIS 5K | JIS 10K | ANSI Class 150 | DIN | JIS 10K | ANSI Class 150 | DIN | JIS 10K | ANSI Class 150 | DIN |
| 13 ^{mm} | 3/8 | 15 | 20 | — | — | — | — | — | — | — | — |
| 15 | 1/2 | 20 | 25 | 20 | 25 | 27 | 37 | 30 | 20 | 20 | 25 |
| 20 | 3/4 | 20 | 25 | 25 | 30 | 30 | 45 | 34 | 25 | 25 | 30 |
| 25 | 1 | 25 | 35 | 30 | 35 | 45 | 73 | 65 | 35 | 30 | 35 |
| 32 | 1 1/4 | — | — | — | — | 54 | 75 | 72 | 40 | 35 | 50 |
| 40 | 1 1/2 | 33 | 45 | 40 | 50 | 58 | 80 | 75 | 50 | 45 | 55 |
| 50 | 2 | 35 | 55 | 55 | 65 | 66 | 102 | 105 | 65 | 65 | 75 |
| 65 | 2 1/2 | 50 | 70 | 80 | 80 | 84 | 125 | 120 | 80 | 75 | 80 |
| 80 | 3 | 70 | 80 | 80 | 85 | 88 | 175 | 155 | 80 | 95 | 100 |
| 100 | 4 | 80 | 100 | 100 | 100 | 109 | 185 | 165 | 100 | 125 | 120 |
| 125 | 5 | 105 | 140 | 125 | 125 | 149 | 195 | 180 | 130 | 150 | 145 |
| 150 | 6 | 125 | 160 | 150 | 140 | 184 | 235 | 204 | 175 | 170 | 180 |
| 200 | 8 | 180 | 180 | 200 | 205 | 233 | 300 | 280 | 220 | 280 | 250 |
| 250 | 10 | 220 | 260 | 270 | 275 | 337 | 345 | 310 | 315 | 325 | 300 |
| 300 | 12 | 240 | 270 | 375 | 295 | 350 | 445 | 340 | 365 | 375 | 340 |
| 350 | 14 | 290 | 315 | — | 365 | — | — | 405 | — | — | — |
| 400 | 16 | — | — | — | — | — | — | 495 | — | — | — |

Product model code list

AV GASKET (STANDARD)

| TYPE | MODEL | RUBBERS | STANDARD | SIZE |
|----------|-------------|--|--|----------------------------|
| G | A | * | * | *** |
| : | : | : | : | : |
| G GASKET | A FULL FACE | E EPDM 1 Viflon®F/FKM-F 2 Viflon®C/FKM-C V FKM G IIR-C J EPDM(Lubricant Free) L PTFE(Lubricant Free) | 1 JIS 10K 5 JIS 5K A ANSI Class 150 D DIN | 013 13mm ∩ 350 350mm |

PTFE COATED

| TYPE | MODEL | RUBBERS | STANDARD | SIZE |
|----------|-------------|---------------|--|----------------------------|
| G | A | T | * | *** |
| : | : | : | : | : |
| G GASKET | A FULL FACE | T PTFE coated | 1 JIS 10K A ANSI Class 150 D DIN | 015 15mm ∩ 400 400mm |

PVDF COATED

| TYPE | MODEL | RUBBERS | STANDARD | SIZE |
|----------|-------------|---------------|--|----------------------------|
| G | A | F | * | *** |
| : | : | : | : | : |
| G GASKET | A FULL FACE | F PVDF coated | 1 JIS 10K A ANSI Class 150 D DIN | 015 15mm ∩ 300 300mm |

Installation, Operation and Maintenance Manual

*For details of Installation, Operation and Maintenance, please contact our nearest distribution agent or sales office.

•AV GASKET

https://www.asahi-yukizai.co.jp/en/product/detail/140128_000584.html

•Viflon®F/FKM-F, Viflon®C/FKM-C

https://www.asahi-yukizai.co.jp/en/product/detail/140128_000579.html